



Bird House

Materials needed

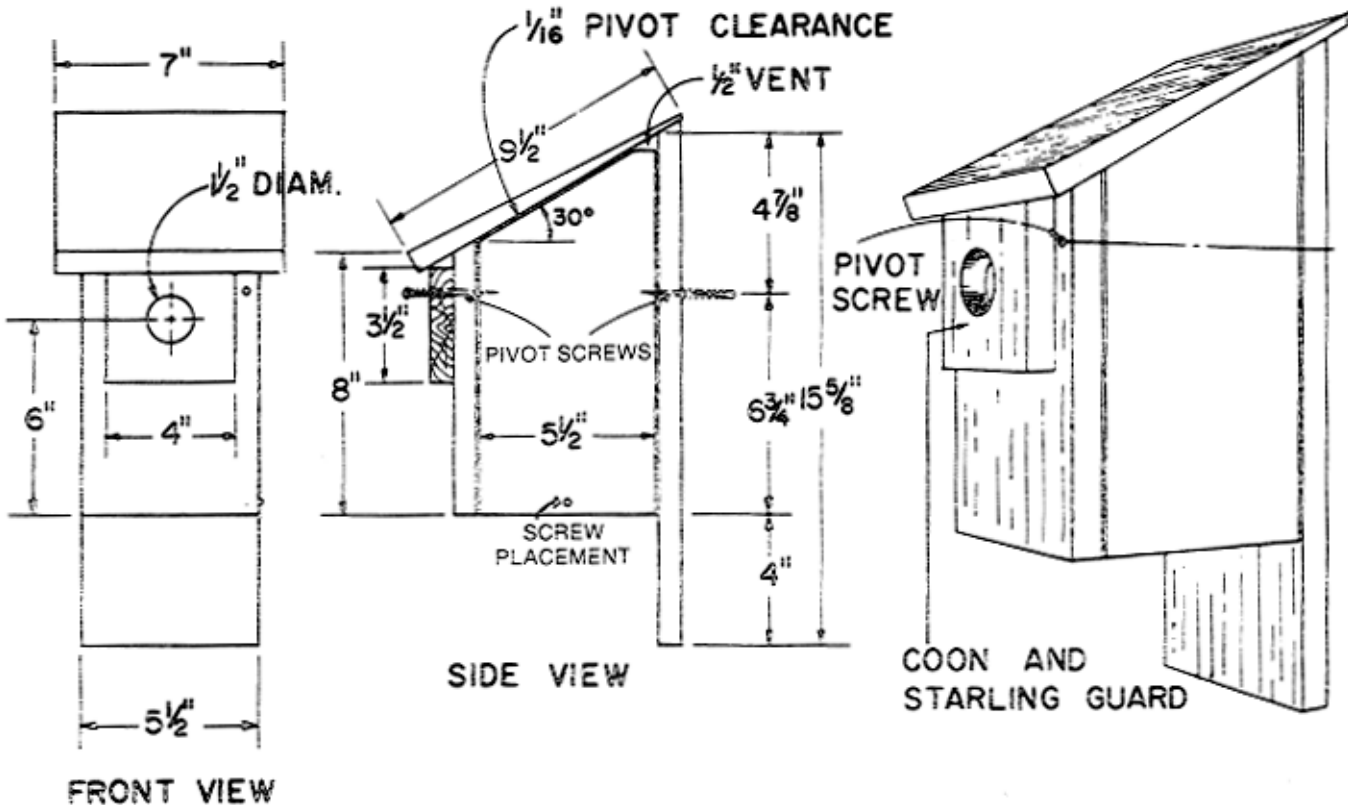
- 1 piece of lumber 1 x 6 (actual size $\frac{3}{4}$ " x $5\frac{1}{2}$ ") x 54" long
- 1 piece of bevel siding or other material for roof $\frac{3}{4}$ " x 10" x 8"
- 1 piece of lumber 1 x 4 (actual size $\frac{3}{4}$ " x $3\frac{1}{2}$ ") x 4" long for coon and starling guard
- 3 — No. 10, $1\frac{1}{2}$ " round-head wood screws
- $1\frac{1}{4}$ " galvanized or aluminum nails for roof and guard
- $1\frac{3}{4}$ " to $2\frac{1}{4}$ " galvanized or aluminum nails
- Sandpaper (medium and fine grit)
- No finish is necessary for the bird house

Tools needed

- Square
- Hand saw
- Hammer
- Boring tool with $\frac{3}{8}$ " and $1\frac{1}{2}$ " bits (bird hole can be cut with a compass saw or saber saw instead of using a drill)
- Pilot hole bits to fit the screws
- File

Instructions

1. Mark and cut pieces as shown in the diagram below.
NOTE: One side of the house is hinged to pivot on screws for easy access for annual cleaning. Removal of the screw at the bottom of the side allows the top of the side to be pushed inward. The hinged side should be $\frac{1}{16}$ " shorter than the other side.
2. Sand pieces smooth.
3. Drill a $\frac{3}{8}$ " drain hole in each corner of the bottom.
4. Drill holes in the front and back pieces to accommodate the screws.
NOTE: Follow the instructions on page 17 for making pilot holes.
5. Assemble all pieces using nails, except for the hinged side.
6. Install hinged side using screws.





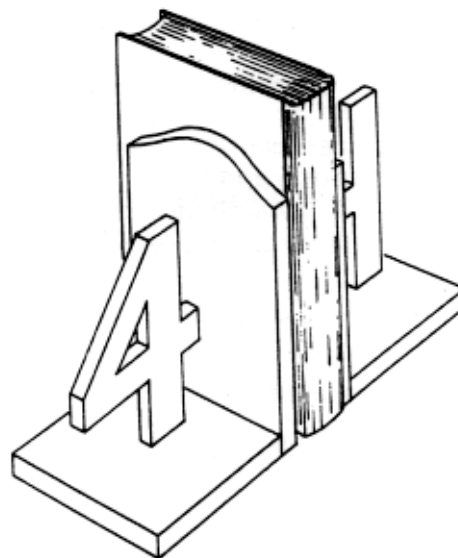
4-H Book Ends

Materials needed

- 1 piece of 1 x 6 lumber (actual size $\frac{3}{4}$ " x $5\frac{1}{2}$ ") x 36" long, or you can use interior-type plywood ($\frac{3}{4}$ " A-C grade or better)
 - 10 — 1 $\frac{1}{2}$ " finishing nails
 - Sandpaper (medium and fine grit)
 - Glue
- Paint and varnish, optional

Tools needed

- Saw (coping, jig, or saber)
- Hammer



ACTUAL SIZE



4-H Book Ends (continued)

Instructions

1. Mark out two base pieces $5\frac{1}{4}$ " long. Mark out the end pieces (page 24) and the 4 and H below. They can be traced with carbon paper and pencil.
2. Cut out the pieces and sand smooth. Put together with $1\frac{1}{2}$ " finishing nails and glue.
3. Apply finish.

