



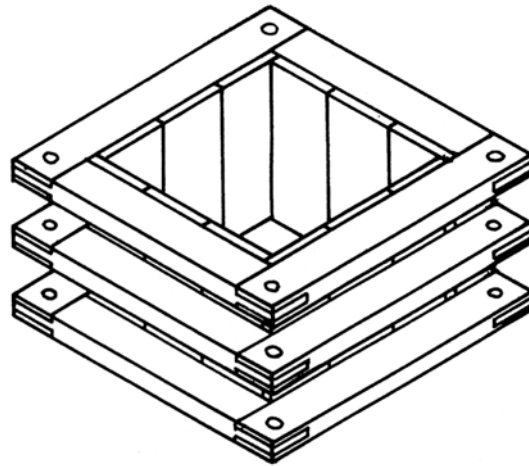
## Planting Box

### Materials needed

- Redwood or cypress
- 12 pieces lumber 2 × 4 (actual size 1½" × 3½") × 26" for frames
- 12 pieces lumber 1 × 6 (actual size ¾" × 5½") × 12" for sides
- 2 pieces lumber 1 × 10 (actual size ¾" × 9½") × 18" for bottom
- 1 piece of ½" dowel stock, 24" long
- Waterproof glue
- 6d aluminum nails

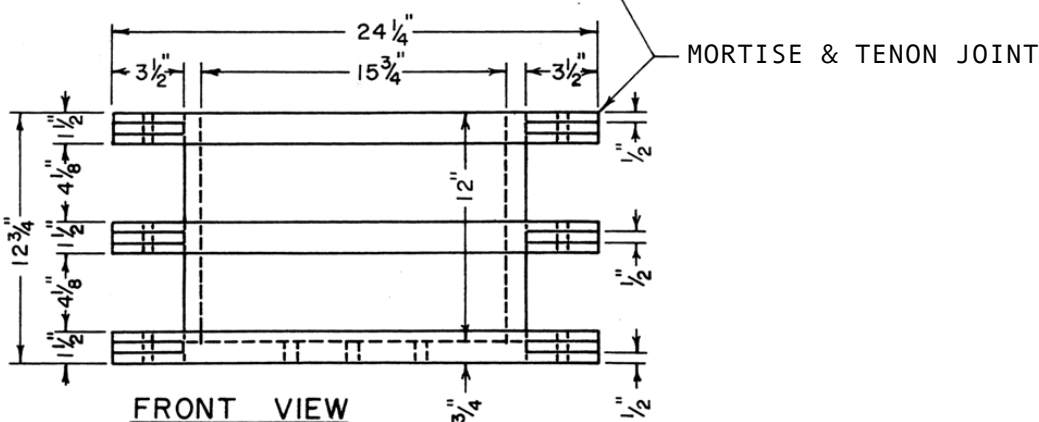
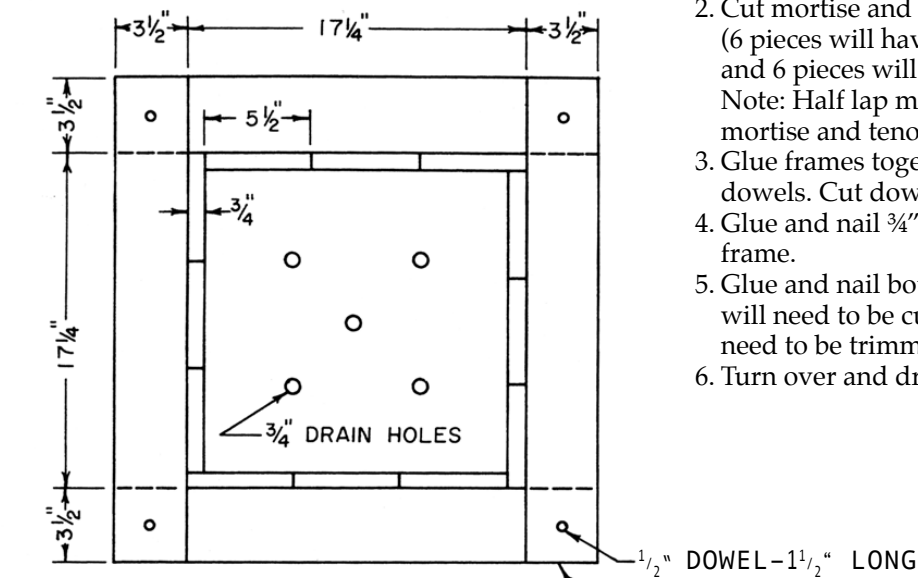
### Tools needed

- Hammer
- Drill with ½" and ¾" bits
- Saw



### Instructions:

1. Cut all pieces to size as illustrated.
2. Cut mortise and tenon on corners of frame pieces (6 pieces will have female type joint on both ends and 6 pieces will have male type joint on both ends). Note: Half lap may be used as an alternative to mortise and tenon.
3. Glue frames together and drill holes in corners for dowels. Cut dowel pieces 1½" and glue in each hole.
4. Glue and nail ¾" × 5½" × 12" pieces to inside of frame.
5. Glue and nail bottom in place. Note: Bottom boards will need to be cut to 17¼" long, and one board will need to be trimmed to 7¼" wide.
6. Turn over and drill ¾" drain holes in bottom.





## Portable Shelving

### Materials needed

- 6 pieces of lumber 2 × 4 (actual size 1½" × 3½") × 6' for ladder posts
- 12 pieces of lumber 1 × 8 (actual size ¾" × 7½") × 10' shelving
- 24 pieces of lumber 1 × 4 (actual size ¾" × 3½" × 22" for shelving supports (rungs of ladders)
- 96 8d common nails
- 3d and 5d nails for shelving supports

### Tools needed

- Saw
- Scale
- File
- Hammer
- Marking pin
- Chisel

### Instructions

1. Cut six posts to size, 6 feet long, using 2 × 4 pieces.
2. Measure 8" from one end on each post and draw a line on the narrow edge using the square. Repeat process at 28", 48", and 68". These mark the tops of the rungs.
3. Cut the rungs 22" long from the 1×4 boards. Nail in place with 8d common nails. Now check the "ladders" to be sure they stand level.
4. Cut the shelves from the 1×8 boards, 10 feet long each. There will be three of these per level (12 total). Notch out side edges to fit around posts. The two outside shelves need to have three notches cut in them, one at each end and one in the center. These notches should be 1½" × 3½" in size (see illustration).
5. Assemble shelving with 3d and 5d nails. Check for any wobble. If it does not stand level, trim ends of posts to level it.

