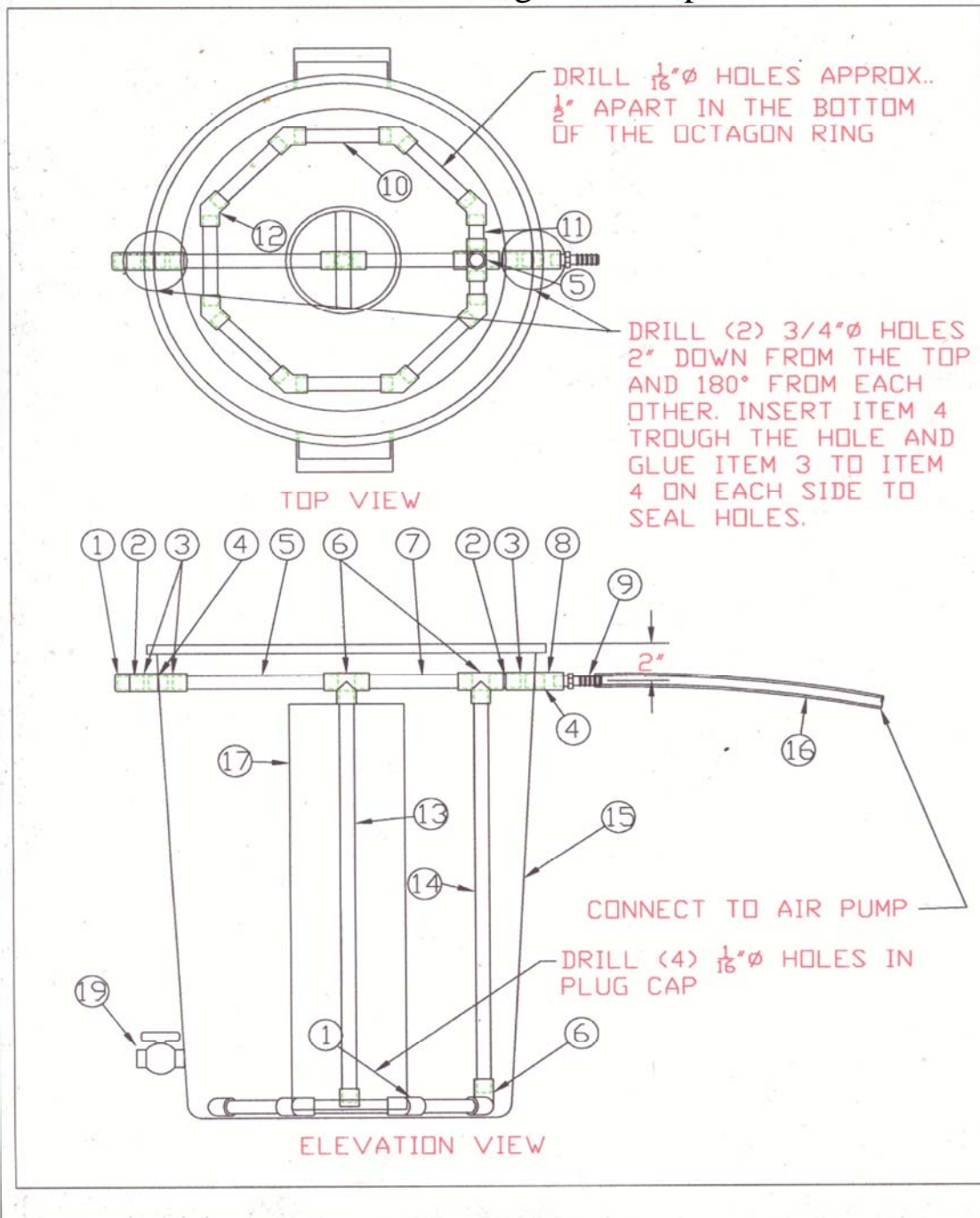


OSU/Lane County Extension Service Compost Specialist Program
A program jointly supported by the City of Eugene, Oregon and OSU/Lane County Extension Service

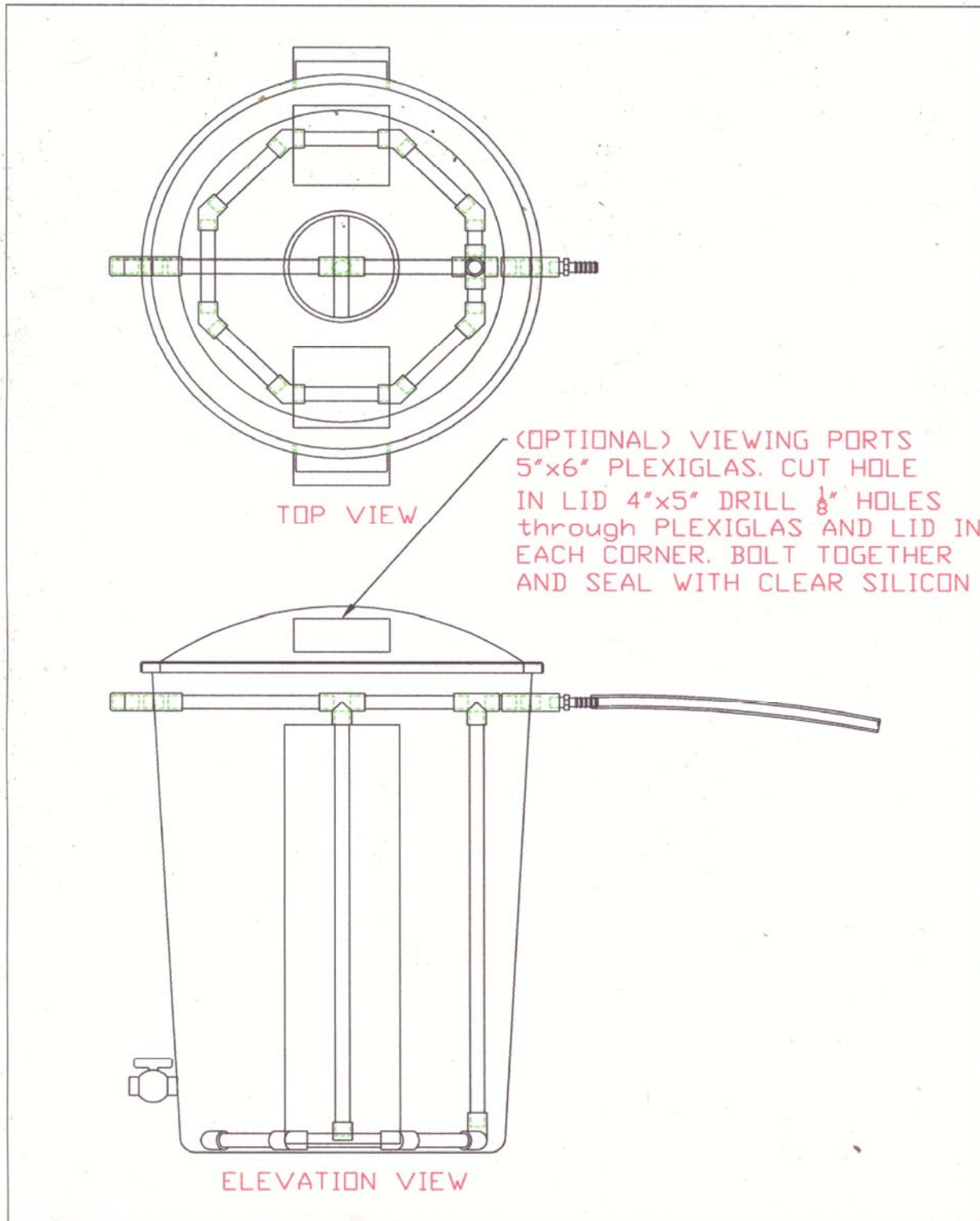
Plans for a home made 25-gallon compost tea brewer



Plans and specifications by Mark Rutter

The making and use of compost tea has not been scientifically validated by Oregon State University. Use your own judgment and discretion when making and using compost tea.

Oregon State University Extension Service offers educational programs, activities, and materials without discrimination based on race, color, religion, sex, sexual orientation, national origin, age, marital status, disability, or disabled veteran or Vietnam-era status. Oregon State University Extension Service is an Equal Opportunity Employer.



Plans and specifications by Mark Rutter

Oregon State University Extension Service offers educational programs, activities, and materials without discrimination based on race, color, religion, sex, sexual orientation, national origin, age, marital status, disability, or disabled veteran or Vietnam-era status. Oregon State University Extension Service is an Equal Opportunity Employer.



25-gallon compost tea brewer plans parts list page 3

OSU LANE COUNTY COMPOST SPECIALIST
25 GALLON COMPOST TEA BREWER

PARTS LIST

<i>I T E M</i>	<i>NO.</i>	<i>DESCRIPTION</i>		
1	2	1/2" PVC CAPS SLIP		
2	1	1/2" PVC PIPE 1 1/2" LG.		
3	3	1/2" PVC COUPLINGS SLIP TO SLIP		
4	2	1/2" PVC PIPE 1" LG.		
5	1	1/2" PVC PIPE 8 1/8" LG.		
6	3	1/2" PVC TEES SLIP TO SLIP		
7	1	1/2" PVC PIPE 6 1/2" LG.		
8	1	1/2" PVC COUPLING SLIP TO 1/2" NPT		
9	1	1/2" POLY MALE ADAPTER		
10	7	1/2" PVC PIPE 5" LG.		
11	2	1/2" PVC PIPE 2" LG.		
12	8	1/2" PVC 45° ELBOWS SLIP TO SLIP		
13	1	1/2" PVC PIPE 23 1/2" LG.		
14	1	1/2" PVC PIPE 22 1/2" LG.		
15	1	32 GALLON PLASTIC GARBAGE CAN		
16	1	1/2" Ø CLEAR HOSE		
17	1	MESH BAG		
18	1	50 WATT AIR PUMP		
19	1	(OPTIONAL) BALL VALVE DRAIN		
20	2	(OPTIONAL) 1/8" PLEXIGLAS 5"x6" VIEWING PORTS		

Plans and specifications by Mark Rutter



Directions for using the 25-gallon compost tea brewer

Supplies:

1. Where to buy an air pump (50 watts)

On the World Wide Web

<http://www.aquaticeco.com/index.cfm/fuseaction/product.detail/iid/6575/cid/1793>

or check with local aquatic suppliers. An outdoor air-pump (not submersible) that meets the specifications may be used.

2. Where to buy a mesh bag for containing the compost

On the World Wide Web

<http://www.aquaticeco.com/index.cfm/fuseaction/listings.categories/ssid/283>

or make your own bag from a 2- gallon paint strainer sack.

Recipe for basic compost tea

Many recipes exist for making compost tea. This is intended as a starting point only and does not guarantee results. There are currently no USDA standards about what makes “good” compost tea. Experiment and observe to see if compost tea works in your garden.

Compost:

Healthy active compost such as vermicompost (worm compost.) Use 2 cups per 5 gallons of water.

Fungal food source: Liquid or powdered kelp, 2 tablespoons per 5 gallons

Bacterial food source: Sweet, unsulphered molasses, 2 tablespoons per 5 gallons

Add the liquid kelp and molasses to the water. Place powdered kelp in the strainer/mesh bag with the compost.

Suspend the bag from the PVC tubing across the top of the brewer. Insert the short PVC pipe into the bag to aerate the compost during the brew cycle.

The making and use of compost tea has not been scientifically tested and verified for use by Oregon State University. This is an emerging area of interest in both commercial and home horticulture. For more information about making and using compost tea go to:

Pennsylvania Dept of Environmental Protection

<http://www.dep.state.pa.us/dep/deputate/airwaste/wm/recycle/Tea/tea1.htm>

California Integrated Waste Management Board

<http://www.ciwmb.ca.gov/Organics/CompostMulch/CompostTea/default.htm>

An article by Dr. Elaine Ingham of the Soil Food Web

<http://www.taunton.com/finegardening/pages/g00030.asp>

From Biocycle Magazine

<http://www.jgpress.com/BCArticles/2000/100071.html>

Compost Tea Task Force Report

<http://www.ams.usda.gov/nosb/meetings/CompostTeaTaskForceFinalReport.pdf>